

DUO-S

EN54-23 approved high output sounder and Dual LED strobe

This triple high output EN54 compliant LED strobe with siren provides a high efficiency, low power solution for alarm signalling in an easy to install design.

Multiple flash modes enable warnings and alarms to be signalled visually and audibly.

The pre-alarm and alarm modes are individually monitored and operate different flash functions.

This integrated audible and visual alarm device has a unique first fix installation method in the base enabling quick installation to provide a competitive solution.

The high quality and robust design ensures that the user has trouble free operation over the life of the product, even in tough environments.

With a range of selectable flash options, the product is suitable for a wide range of applications.

Key Features

- Quick First fix installation
- Wide operating voltage
- Low power consumption
- High output mode
- Individual reverse polarity monitoring of pre-alarm and alarm circuits
- 32 tones
- Selectable flash options
- Fully synchronised
- IP65 rated with Deep base
- Large EN54-23 coverage area

Applications

- Hospitals, Shopping Malls, Commercial, Marine and Industrial sites.
- Where 2 stages of visual alarm are required with a high output
- Where low power consumption is required with a high light output



Key Benefits

- Reduces costs where multiple VAD are required.
- Full synchronisation across tones and flashes on all products in the range enabling very flexible system upgrades and changes.
- Cover areas with fewer devices to reduce installation costs
- Robust and reliable, lower maintenance costs
- High specification and efficiency simplifies product selection

Product data

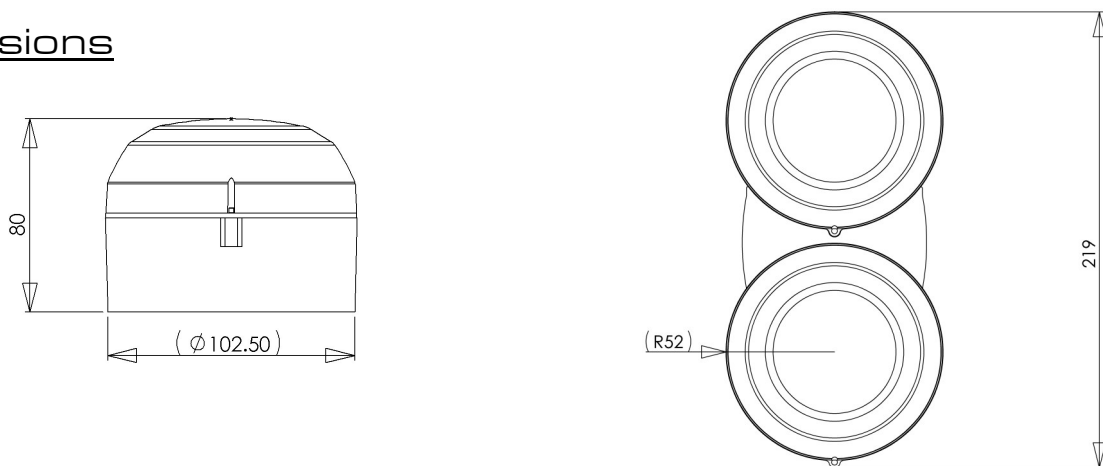
Specification

	Compliant operating range	Maximum Operating range
Supply voltage range	18—56 V dc	18 - 56V dc
VAD Current consumption	20mA to 60mA dependent on setting	
Sounder Current consumption	10mA to 30mA dependent on setting	
Cable monitoring	Individual reverse polarity monitoring on both Pre-alarm and Alarm circuits	
Terminal size	0.28 to 2.5mm ² conductor	
LED Configuration	Red and White LED's (Red above White)	
Mounting	Wall	
Sound output	92dB(A) to 110dB(A) depending on tone	
Selectable tones	32 Tones, 3 Tones EN 54 approved	
EN54 -23 coverage	See table A below	
EN54 -23 coverage	Up to 720m ³ (depending on setting)	
Flash options	High and low output, 1s and 2s flash rates DIL switch selectable	
Material	V0 rated ABS base, V0 Polycarbonate lens	
Weight	427g	
Base colour	White or Red	
Lens colour	Clear and Red	
Fixing method	Body to base – Bayonet auto connect, Base to wall - Screw	
Operating temperature	-25°C to +75°C	
IP Rating	Type B and IP65	

VAD coverage

Switch Number	Function	NB100 VAD EN54-23 code / coverage volume	
		WHITE flash	RED flash
0 0 0	1s Low power	W-3-8/192m ³	W-2.4-7/117m ³
0 0 1	1s High power	W-5-12/720m ³	W-2.4-9.5/216m ³
0 1 0	2s Low power	W-3-8/192m ³	W-2.4-7/117m ³
0 1 1	2s High power	W-5-12/720m ³	W-2.4-9.5/216m ³

Dimensions



Order codes

DUO-R-SRW
DUO-W-SRW

Double Red deep base with UNO strobe and NS100 sounder fitted
Double White deep base with UNO strobe and NS100 sounder fitted

Other variations available to special order